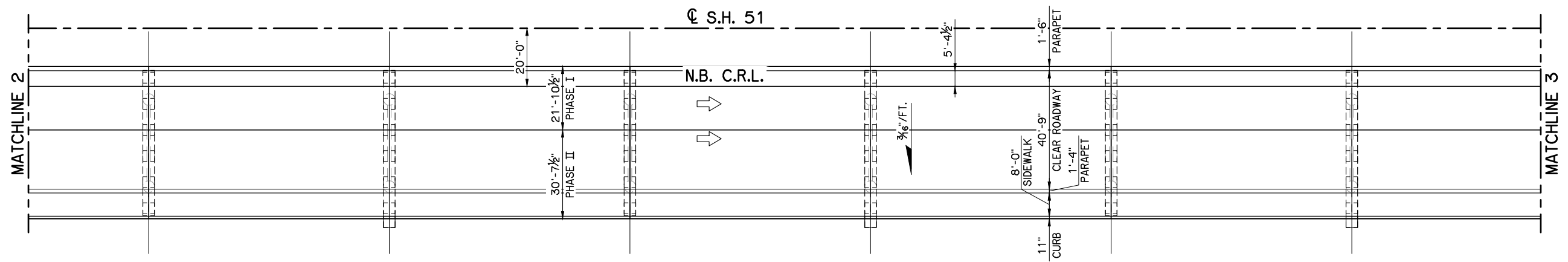
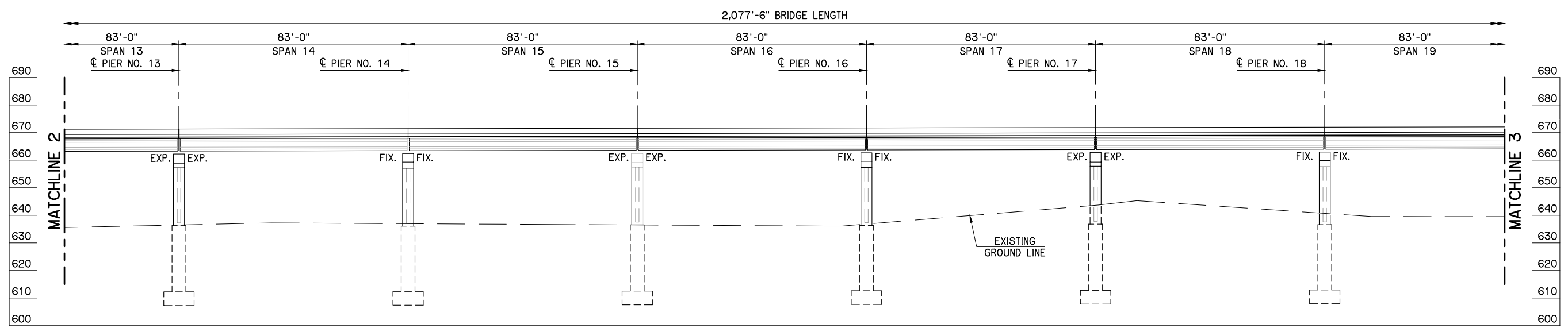


REVISIONS		
REV. NO.	DESCRIPTION	DATE



PLAN
SCALE: 1" = 20'-0"



ELEVATION
SCALE: 1" = 20'-0"

SH 51 NB OVER ARKANSAS RIVER		TULSA COUNTY	
GENERAL PLAN AND ELEVATION		Design	ADT
25 - 83' P.C. BEAM SPANS		Detail	FEZ
40.75' CLEAR ROADWAY WITH SLOPED FACE PARAPETS		Check	ADT
SHEET 3 OF 4		WHITE ENGINEERING ASSOCIATES	
STATE OF OKLAHOMA	DEPARTMENT OF TRANSPORTATION	SHEET NO. 7	
JOB PIECE NO. 31358(04)			

I:\Active\1626\Drawings\7 PE 3 of 4.dwg, 6/12/2017 11:07:33 AM, Fred